

# TOLO New Indoor Sauna Room Manual



Please read the manual carefully before installation & use  
and keep the manual for further reference

---

# Table of Contents

1. Introduction.....	3
2. Safety Warning.....	3
3. Parameters And Dimension.....	4
4. Parts List.....	5
5. Installation Instructions.....	7
6. Maintenance Instructions.....	15
7. Warranty And Services.....	15

## 1. Introduction

Thank you for choosing TOLO new indoor sauna room.

Please read this manual carefully before installation, use and keep the manual for further reference.

## 2. Safety Warning

- ◆ The heater gets extremely hot during operation and should not be touched otherwise burns may result.
- ◆ Heaters shall not be subjected to water spray.
- ◆ Covering the heater may cause a fire, so do not cover the heaters.
- ◆ Keep flammable or easily combustible materials/ objects (eg. towels, etc) away from the heater all the time.
- ◆ Children should be adequately supervised when using the sauna room.
- ◆ Elderly persons, pregnant women, as well as those people who are suffering from heart disease, high blood pressure, diabetes or people not in good health, please seek medical opinions before using the sauna room.
- ◆ This appliance is not intended for use by person (including children) with reduced physical, sensory or mental capabilities, or lack of experience and knowledge, unless they have been given supervision or instruction concerning use of the appliance by a person responsible for their safety.
- ◆ Do not smoke in the sauna room.
- ◆ Do not use the sauna room when under the influence of alcohol.
- ◆ Do not use the sauna room immediately after strenuous exercise.
- ◆ Leave the sauna room at once if you feel sleepy, sick or uncomfortable.
- ◆ Ensure there is good ventilation for the sauna room.
- ◆ **When you go out, or may not use sauna room in long time, please DISCONNECT the general power supply to the equipment and accessories in sauna room.**



**Commercial operators should post a notice of these precautions in a prominent position near sauna room.**

### 3. Parameters And Dimension

Model	Material	Dimensions
TOLO-SRN02	Abachi wood / Pine wood	1524*1210*2055mm
TOLO-SR06	Abachi wood / Pine wood	2084*2008*2055mm

Table 1

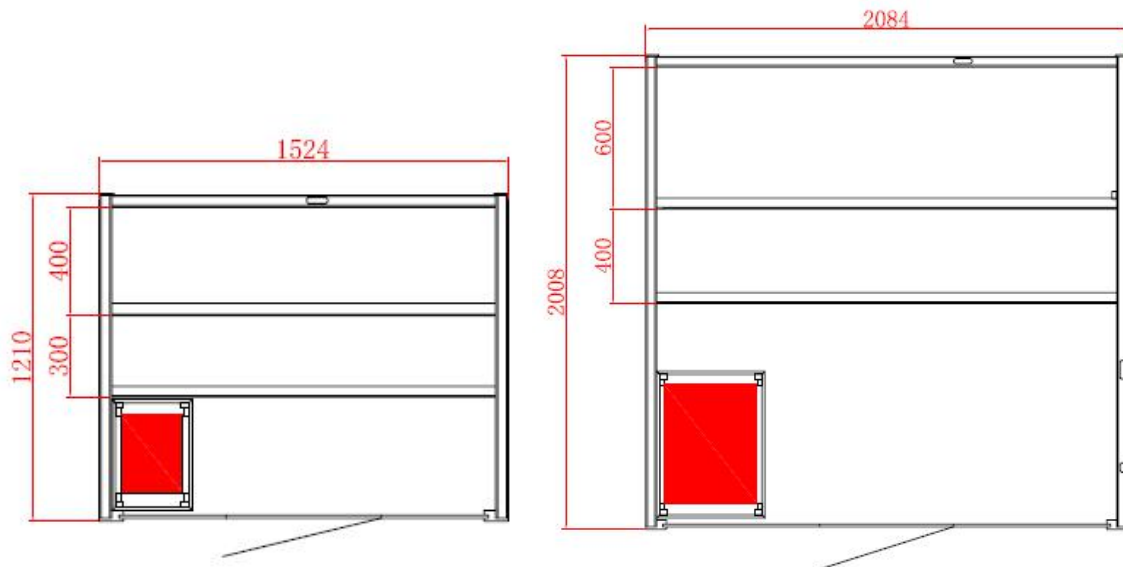
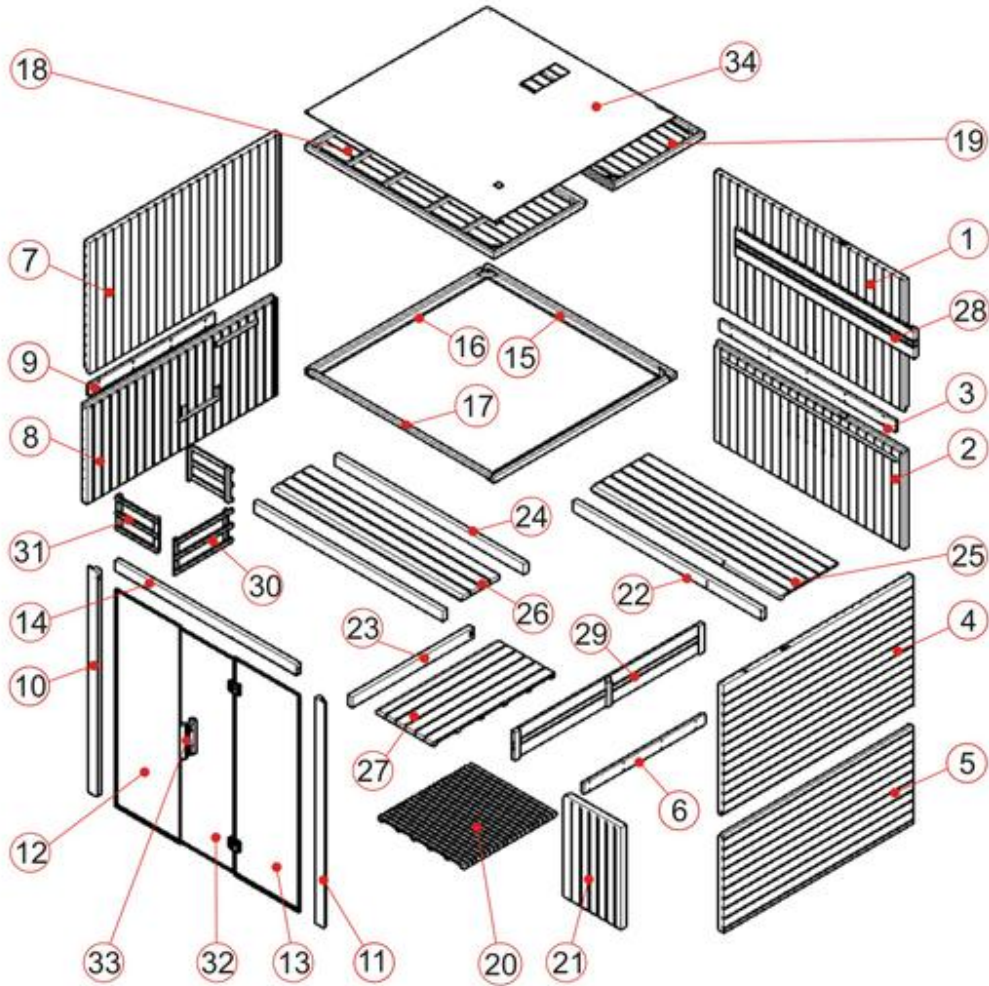


Figure 1

## 4. Parts List

When receive the sauna room, please check if you get complete parts according to table 2 &3, contact with your dealer immediately if any missing.



Notes: The parts quantities may have variance for different sizes & models.

Figure 2

Table 2:TOLO-SRN02 part list

NO	NAME	Q'TY
1	top back panel	1
2	lower back panel	1
14	upper door cross bar	1
22, 24	bench support panel	3
25	upper bench surface panel	1
26	lower bench surface panel	1
28	back guardrail	1
20	floor panel	1
18	top panel	1

33	handle	1
Not in the figure 2	screw package	1
4, 5	right side panel	1
7, 8	left side panel	1
12, 13, 32	glasses	3

Table 3:TOLO-SR06 part list

NO	NAME	Q'TY
1	top back panel	1
4	right upper side panel	1
7	left upper side panel	1
26	lower back bench surface panel	1
15, 16	ceiling panel	3
17	connecting bar for top panel	1
33	handle	1
Not in the figure2	wood bracket for fixing the ceiling panel 2 /pcs	2
Not in the figure2	screw package	1
2	lower back panel	1
5	right lower side panel	1
8	left lower side panel	1
3	connecting bar for back panel	1
6, 9	connecting bar for side panel	2
12, 13, 32	glasses	3
25	upper back bench surface panel	1
10, 11	column	2
14	upper door cross beam	1
22, 24	bench support panel	3
28	back guardrail	1
18, 19	top panel	2
30, 31	sauna guardrail	3
20	floor panel	1

## 5. Installation Instructions

### Cautions:

- All circuits should be installed by licensed electricians and conform to local and national codes. Improper electrical connection can cause fire or electric shock.
- Power supply must be cut off before installation, maintenance and repair.
- To prolong the life of your sauna room, you can use a heat proof board behind and above the heater to prevent charring, for commercial cases this should be more seriously considered.
- At least 3 persons are required for installation of the sauna room.
- Please check the countersink and hole diameter of the drill holes to avoid damaging the wood.

### Tools

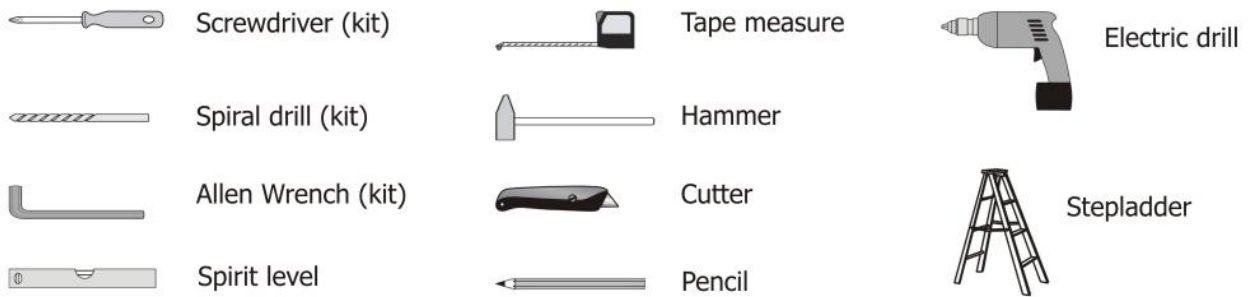
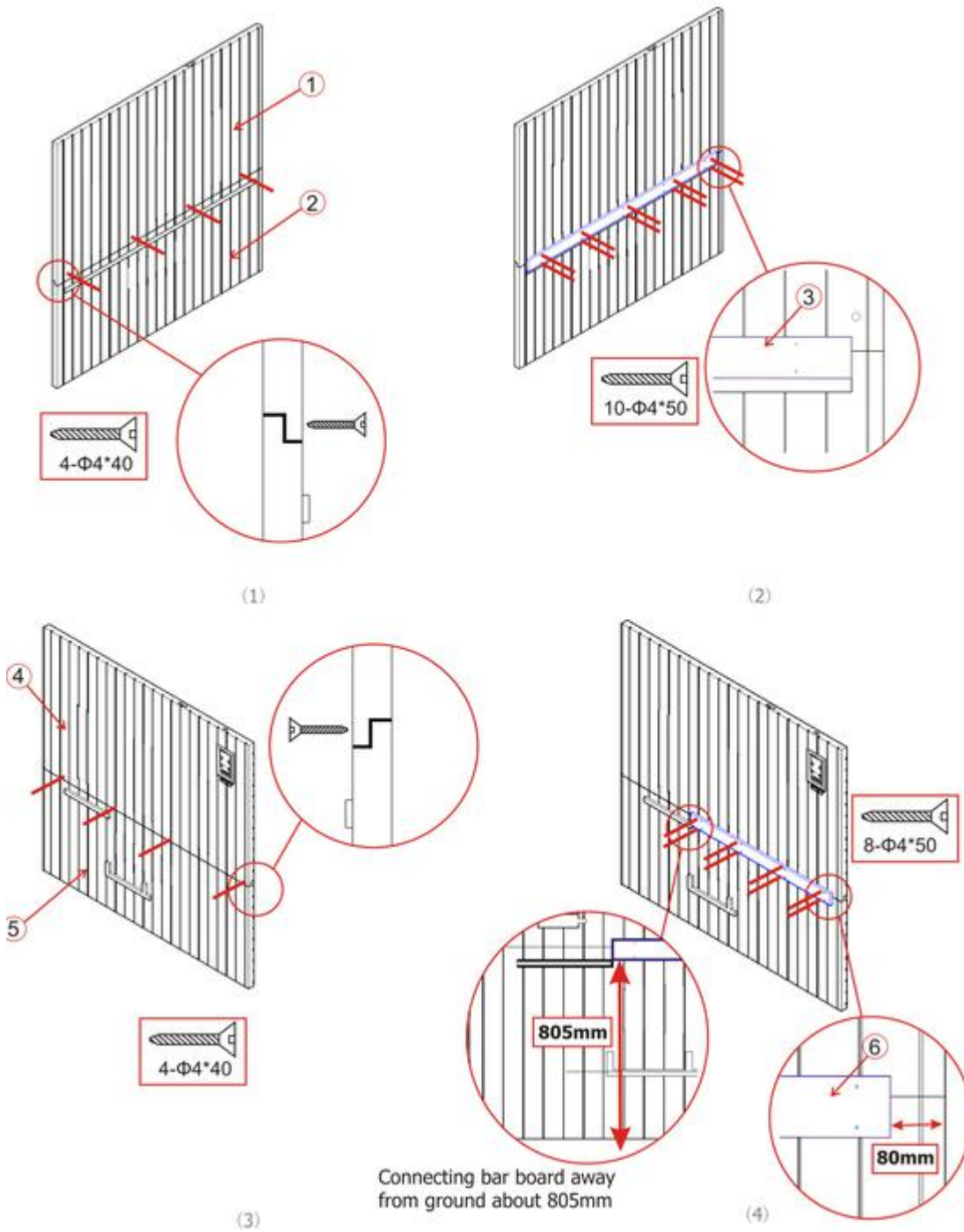


Figure 3

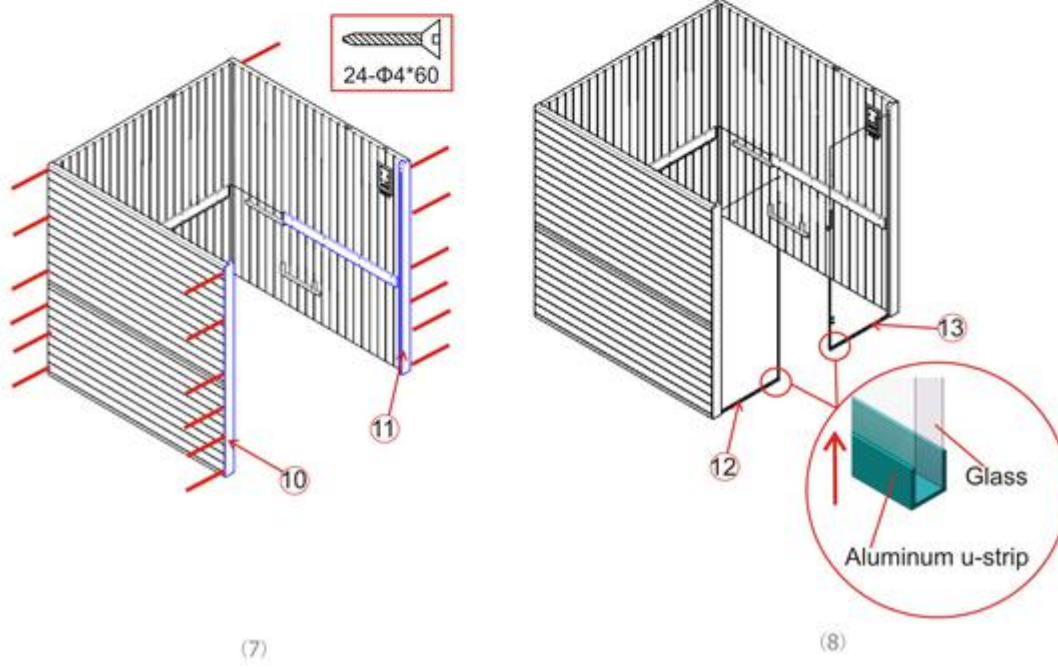
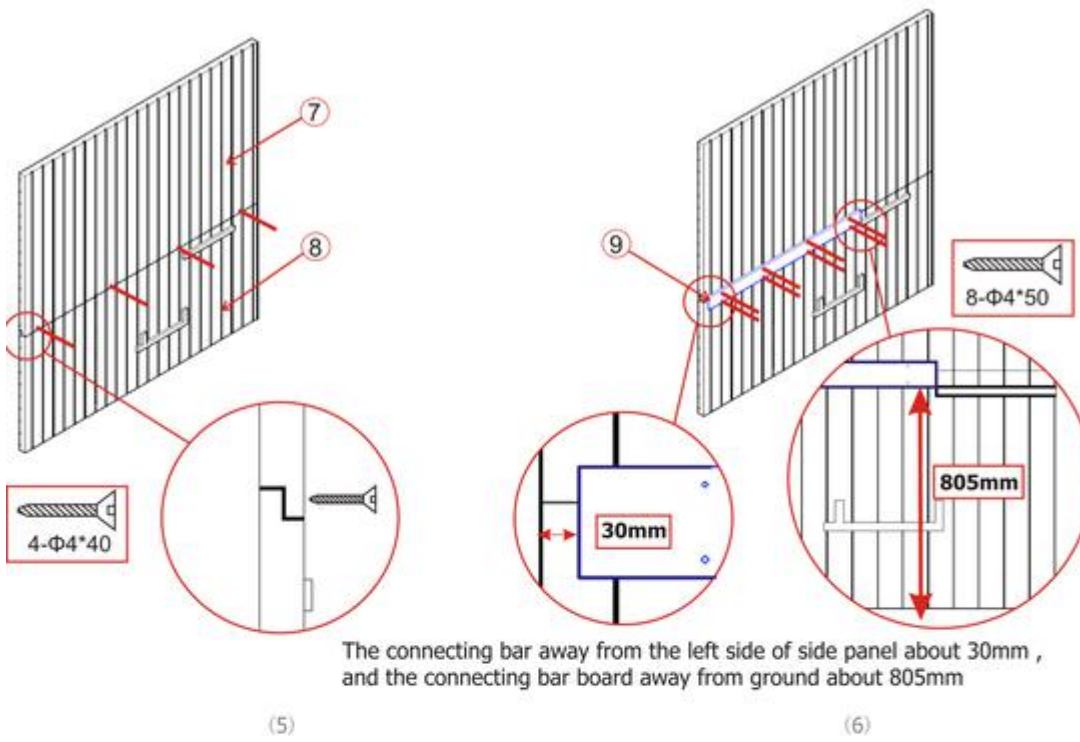
---

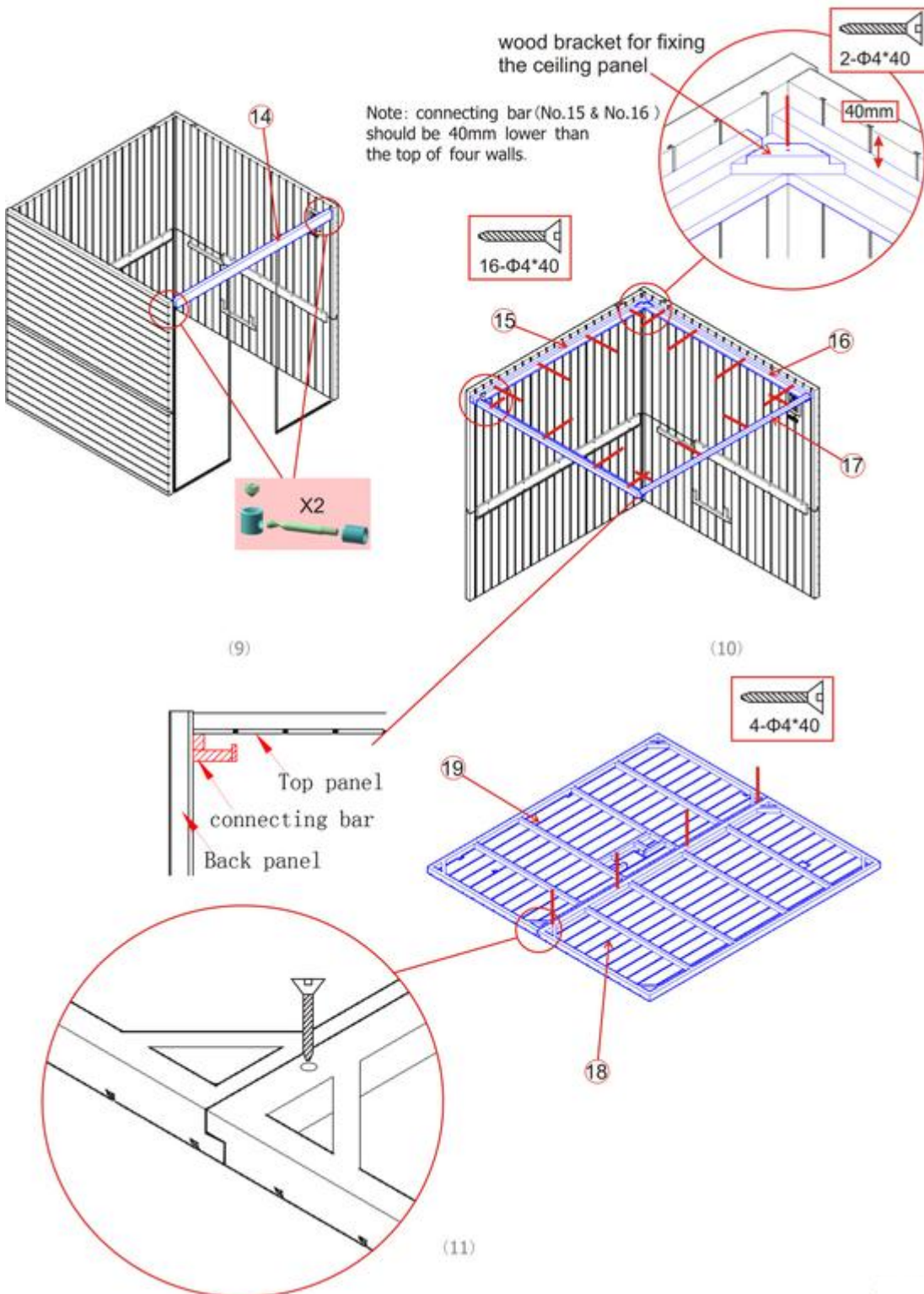
**Assembling Steps:**

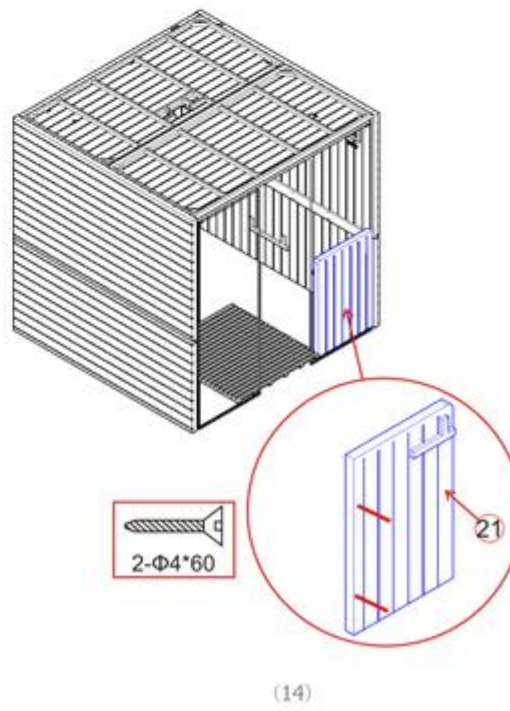
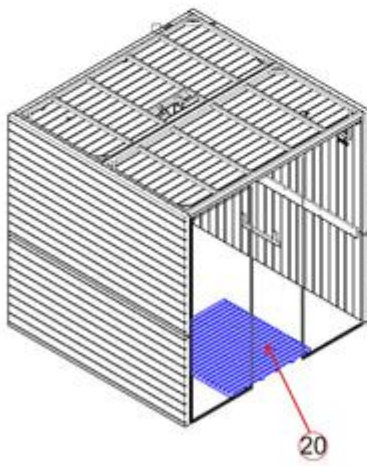
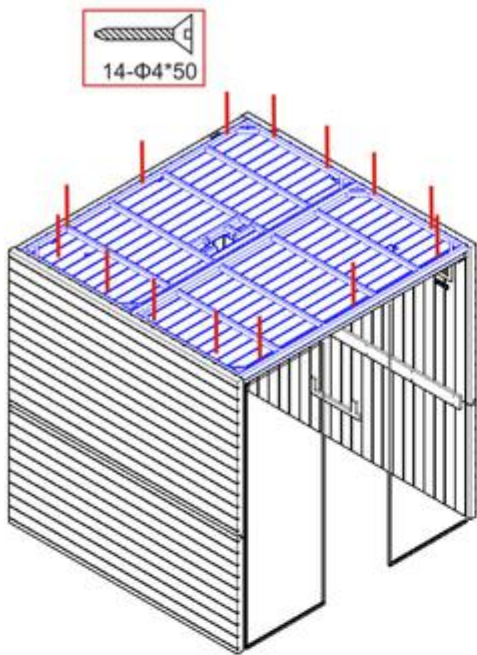
Notes: The assemble steps may have some slight variances for different sizes & models.

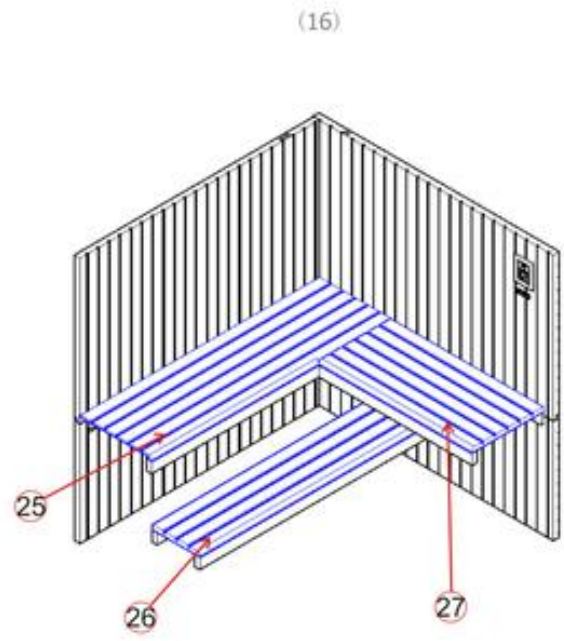
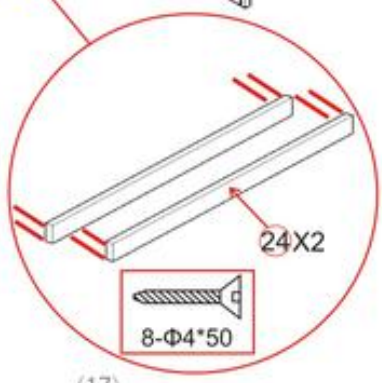
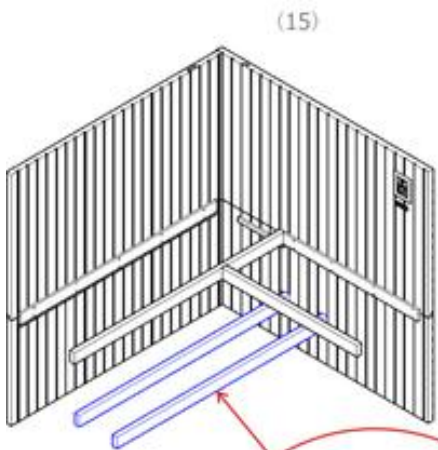
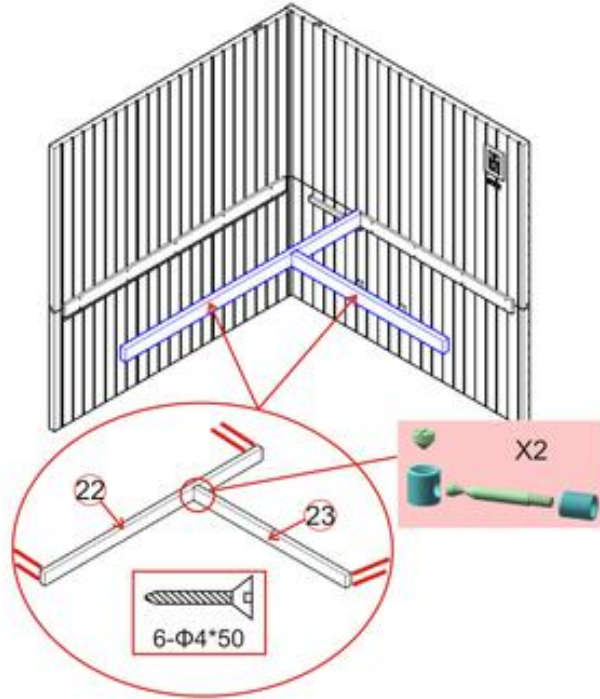






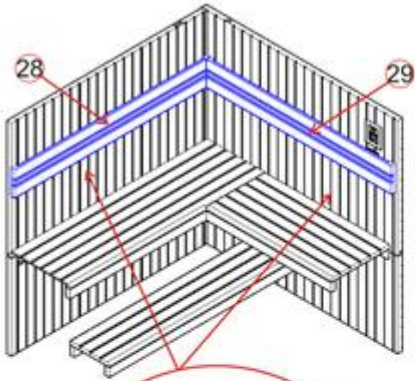




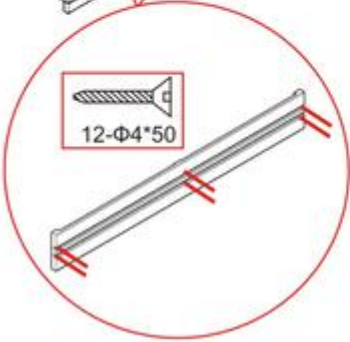
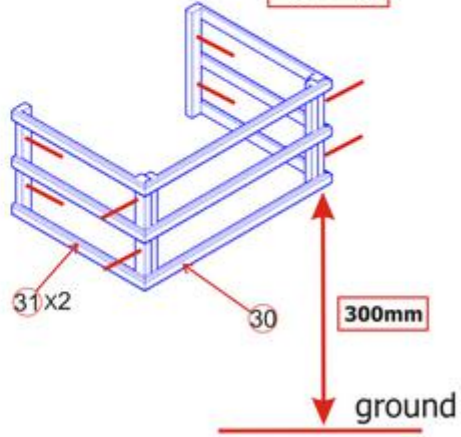
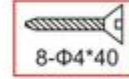


(18)

**Assemble steps**

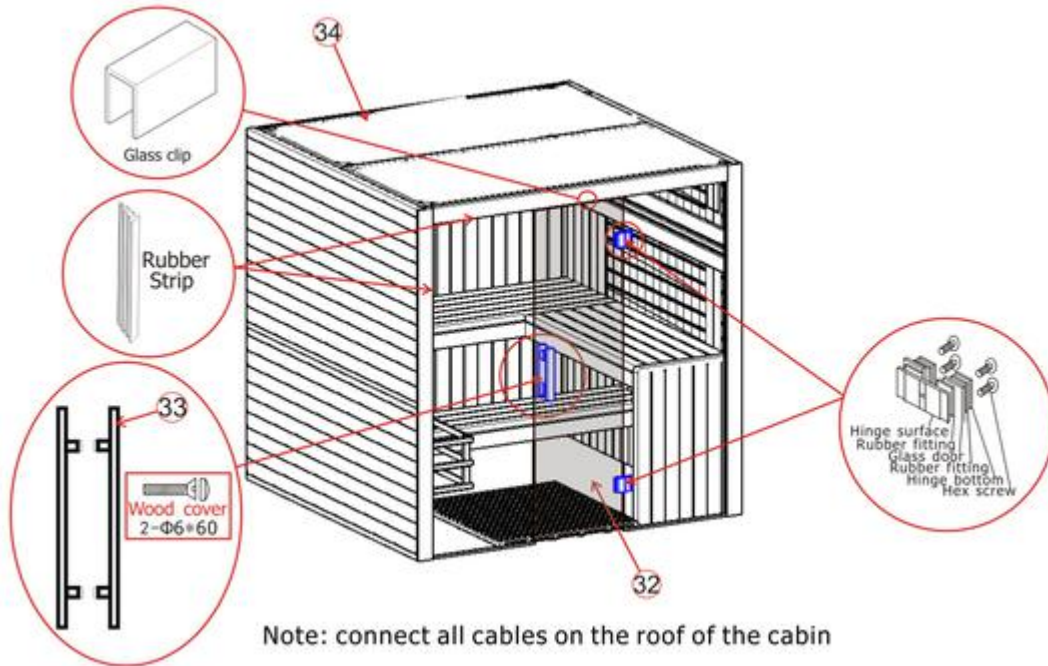


Note: oven guardrail distance away from ground about 300mm.



(19)

(20)



Note: connect all cables on the roof of the cabin

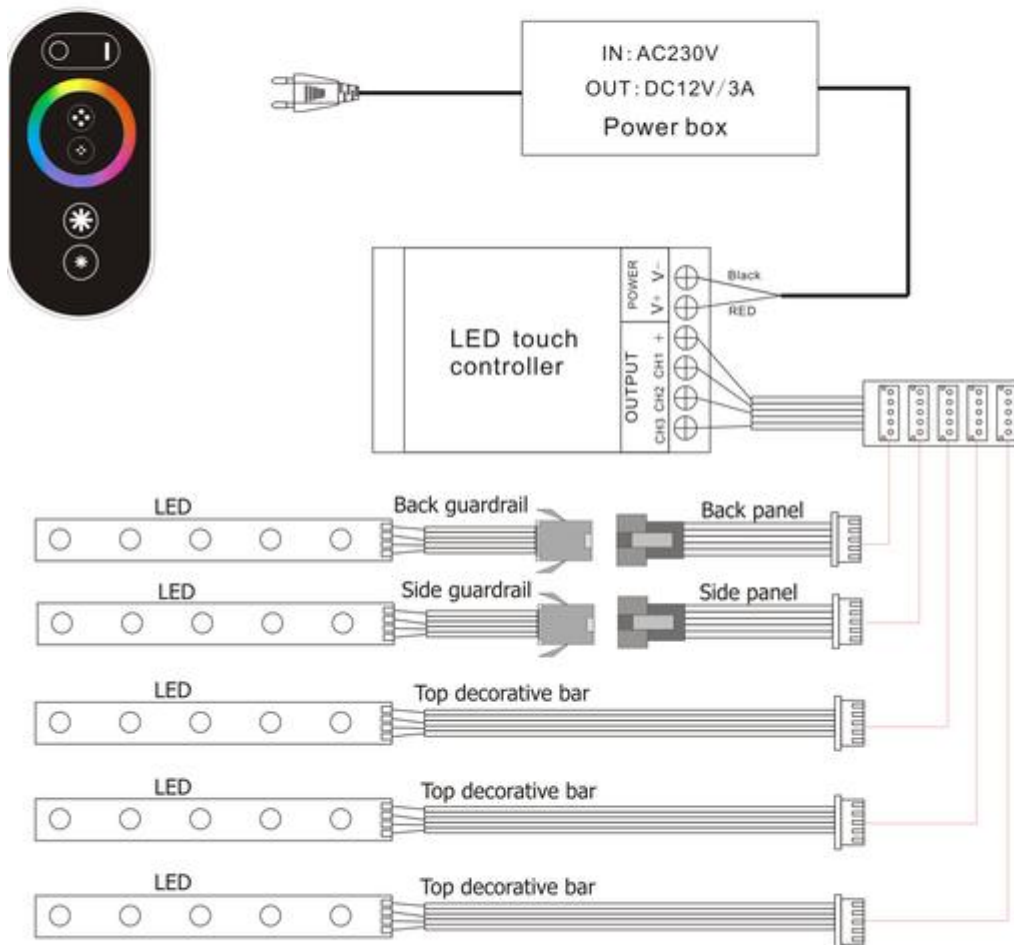
(21)

## RGB Light Strip Installations:

Notes: Not all sauna rooms are coming with the RGB light strip as it's an value added option.

### CIRCUIT DIAGRAM

The LED controller connection diagram



Only provide for reference

---

## 6. Maintenance Tips

- Clean the sauna room with a damp cotton towel, and then dry with a clean dry towel.
- Clean the glass with a window/ glass cleaner and a soft cloth.
- Do not use chemical detergents to clean the sauna room .
- Please fasten the screws of bench every three months to avoid the loose or drop off.
- After sauna, please open the door to make sufficient ventilation to make the sauna room dry.

## 7. Warranty And Services

We offer 1 year warranty for sauna room, and warranty period will count from the ex-factory date.

- i. Limited warranty is offered to all customers. Any quality problem will be covered within warranty. Please provide the maintenance record when you ask for warranty.
- ii. Our company has the right to decide whether to repair or to change. Approval must be obtained from our company before shipping back the product. The customer has to pay for the transportation fee and any parts fee beforehand.
- iii. Any clause mentioned in the manual is not covered by the warranty.
- iv. This warranty does not cover any defect, malfunction or failure caused by, or resulting from unauthorized installation, maintenance and repair; improper power supply; and any action which violates the manual.
- v. Damage caused by accident, misusing of chemistry products, or any other reason which are beyond our company's responsibilities will not be covered. Any product whose label, nameplate has been removed, altered, damaged is not covered either.
- vi. Our company is not responsible for any direct or indirect damage caused by the sauna room and its equipment and accessories.